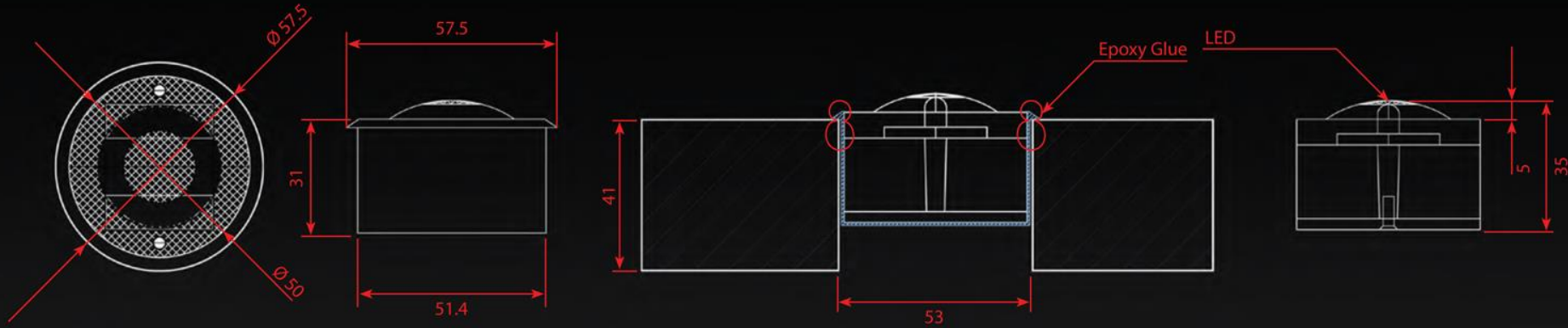




SOLARMARKERS, CO.

MS-50 SPECIFICATION





Specification

Technology	Active photo-voltaic LED	LED output	5,000 mcd
Dimensions	50 x H35 (30) mm	LED output frequency	Steady or Flashing
Weight	80 grams / 0.18 lbs	LED visibility	Up to 500 meters / 0.31 miles
Housing material	Poly carbonate lexan 143	Storage / Type	LiFe4 (Lithium Iron 4) Battery or Super capacitor
Housing	Clear UV coated		3.2 V / 250 mA/h
LED	One	Output on full charge	4+ nights
LED colour	Amber / Red / White / Blue / Green	Operating temperature	-25°C to 72°C (-13 to 167 F)
Activation	Photo sensor	Max tensile strength	1 ton / cm ²



The new revolutionary Solar Flasher MS-50



Stainless steel case protection

Feature

MS – 50 Device included with outer stainless steel case for the protection

Small and compact providing high visibility at night

Flat installation to prevent tripping and falling

Ideal for installation applications like outdoor landscaping enhancement, swimming pools, decks, exterior walkways, home entrances, driveways and dark road visibility enhancement.

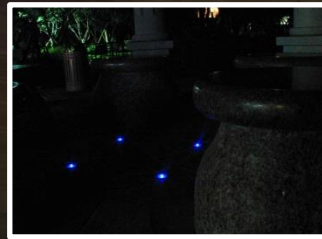
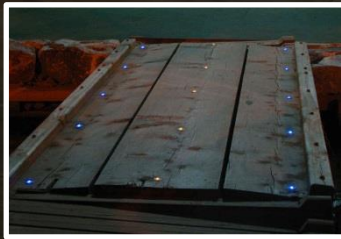
No wires or electricity required to install MS-50 markers



SOLAR MARKERS, CO.



Light Temptation





SOLAR MARKERS, CO.



Light Temptation





10211 Pacific Mesa Blvd, Suite 407, San Diego, CA 92121 / Tel.858.457.9600

LIGHT TEMPTATION