

MS-1140

WARNING LIGHT

SPECIFICATION

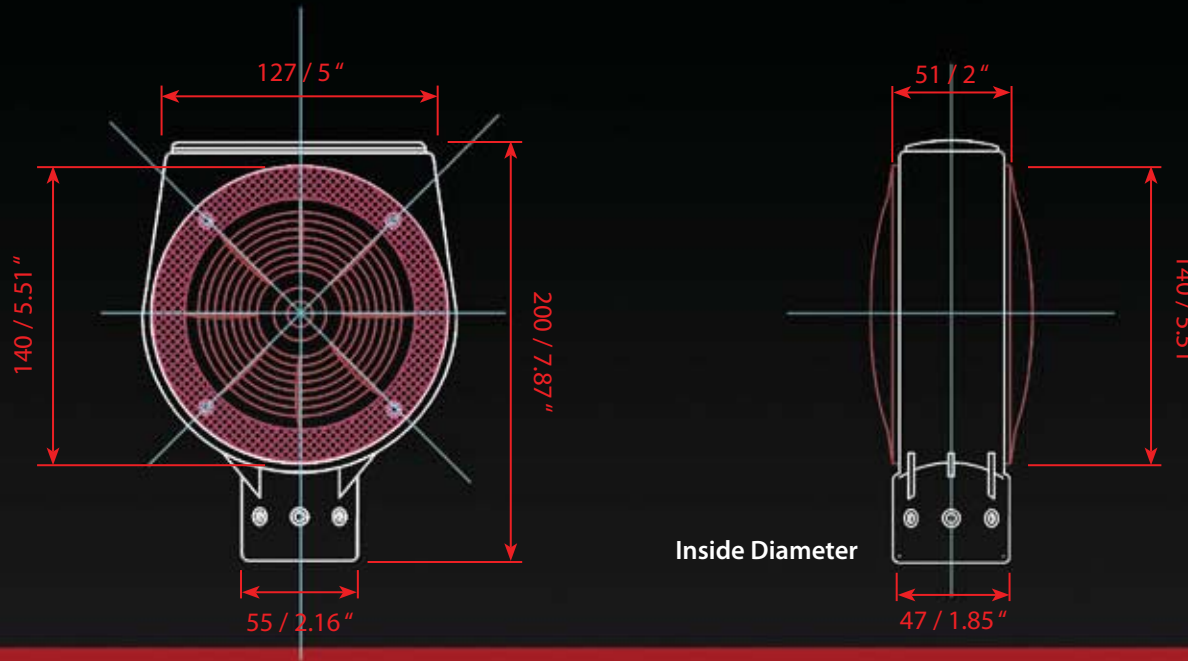




The new revolutionary MS - 1140 Solar Warning Light

Feature

- Built-in solar panel and rechargeable battery for maintenance free
- LED lamp for long operating life span (no re-lamp required)
- Super bright and large illuminating surface with greater viewing angle
- Concave front face to prevent dust or snow accumulation
- Aluminum alloy body and mounting holder for easy installation
- Single side is available on custom order base
- Red and Yellow color is available



Specification

Dimensions	65mm(T) x 145mm(W) x 200mm(H) / 2.55" x 5.70" x 7.87"
Weight	1.3 Kg (2.86 lbs) / unit
IP Rating	IP 65
Body	P.V.C coated Aluminum alloy (Rust-proof treatment)
Temp. Operation	- 40 °C to 75 °C / - 40 °F to 167 °F
LED	One side (6 units of LED) and Dual side (3x3 units of LED) are available
LED Type	High intensity emitting diode
LED Color	Super bright - Red/Yellow
Storage / Type	LiFe4 (Lithium Iron 4) Battery 3.2 V / 600 mA/h
Storage / Efficiency	16 hours under full charge without additional charge

SOLAR CELL / Voltage	3V
SOLAR CELL / Efficiency	125 mA / hour



10211 Pacific Mesa Blvd, Suite 407, San Diego, CA 92121 / Tel.858.457.9600

LIGHT TEMPTATION